

# Flush Rings

FU, FS and FE Series



**FITOK**  
Valves and Fittings

## 1 Flush Rings

### Functions

- Flushing rings are required for flange-mounted and sandwich type remote if the danger exists that the process conditions and the geometry of the connection could make the medium into deposits or blockages
- The flushing ring is clamped between the process flange and the remote seal.
- Deposits can be flushed away from the diaphragm through the holes in the side, or the pressure volume can be vented.
- Different nominal sizes and forms permit adaptation to the respective process flange.

### Features

- Flange standards: ANSI B16.5, DIN 2526.
- Marked with standard, model number, series number.

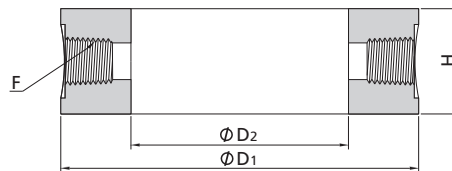
### Material Specifications

Material	Standard
316 SS	ASTM A479/A182
316L SS	
304 SS	
304L SS	
321 SS	
Alloy C-276	ASTM B574/B564
Alloy 400	ASTM B164/B564
Duplex 2507	ASTM A479/A182

Other materials are available upon request.

### Technical Data

#### FU Series: Wafer

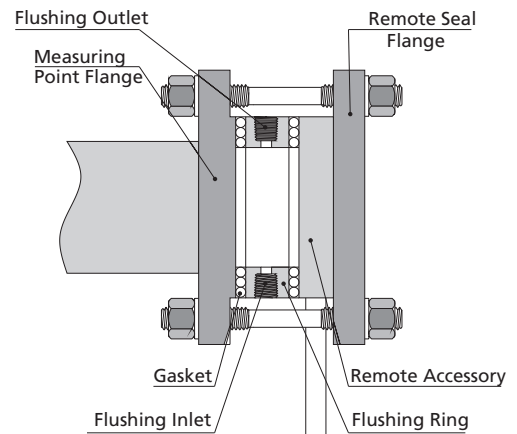


### Pressure Ratings and Dimensions

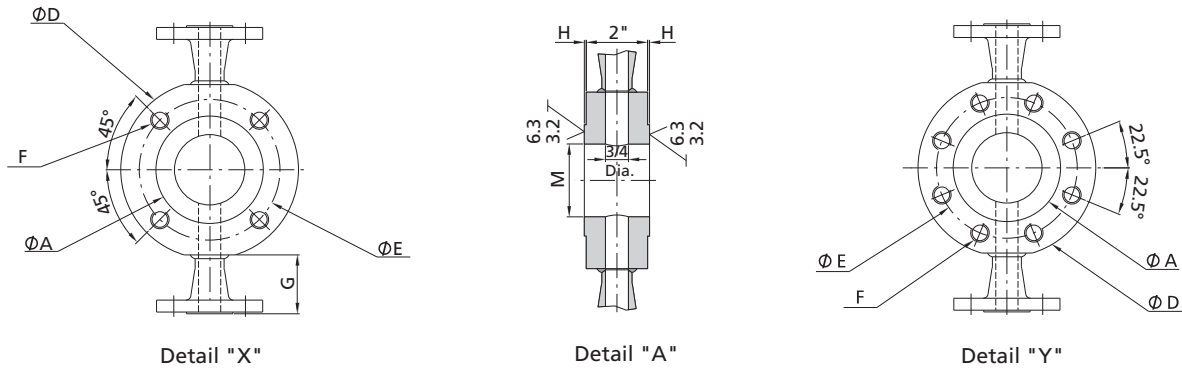
ANSI B 16.5		D1	D2	F - 1/4 NPT	F - 1/2 NPT
Nominal Size	Pressure Ratings	Dimension, in. (mm)			
2	Class 150 to 2500	3.62 (92)	2.44 (62)	0.97 (25)	1.18 (30)
3		5.00 (127)	3.62 (92)		
4		6.18 (157)	3.62 (92)		

DIN 2526		D1	D2	F - 1/4 NPT	F - 1/2 NPT
Nominal Size	Pressure Ratings	Dimension, in. (mm)			
50	PN16 to PN400	4.01 (102)	2.44 (62)	0.97 (25)	1.18 (30)
80		5.43 (138)	3.62 (92)		
100		6.38 (162)	3.62 (92)		

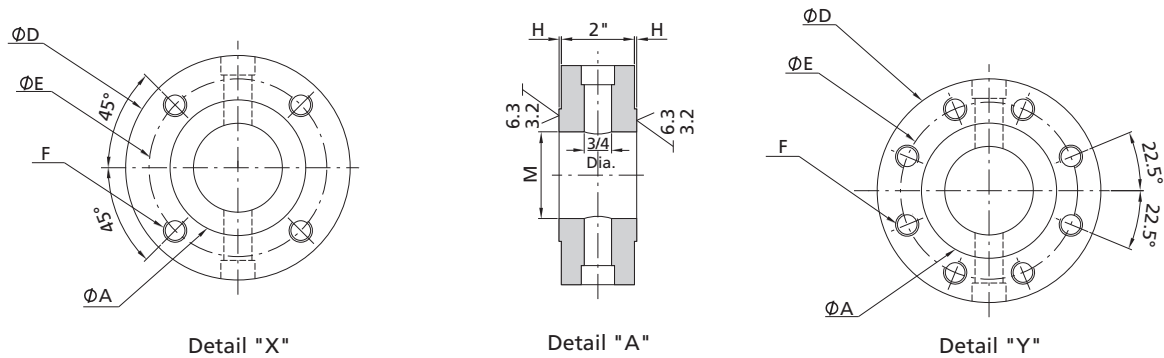
### Installation Example



FS Series:  
Straight Flush Ring, ANSI RF, with Weld Neck Flange



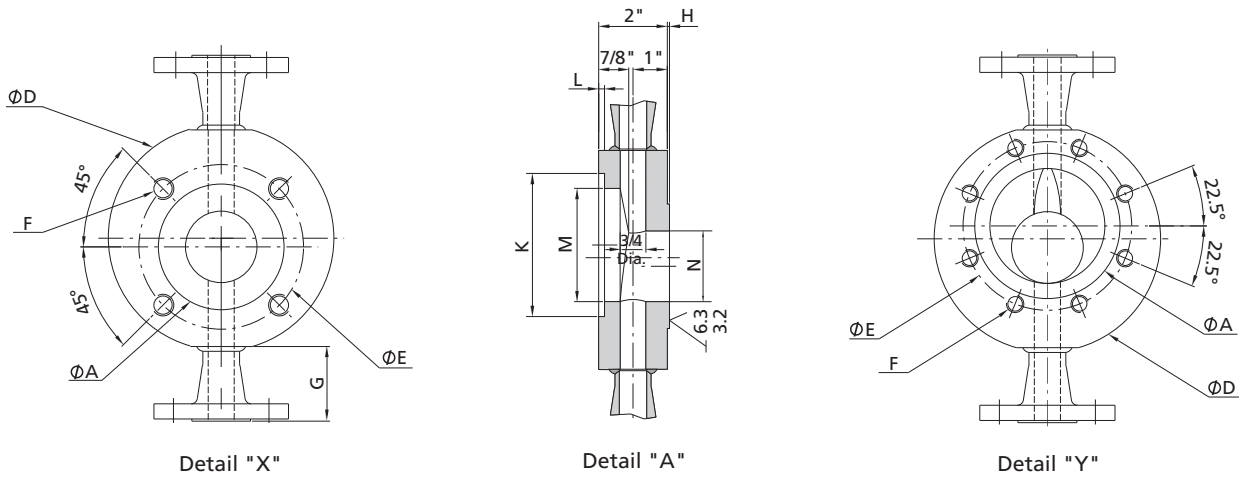
Straight Flush Ring, ANSI RF, with Socket Weld



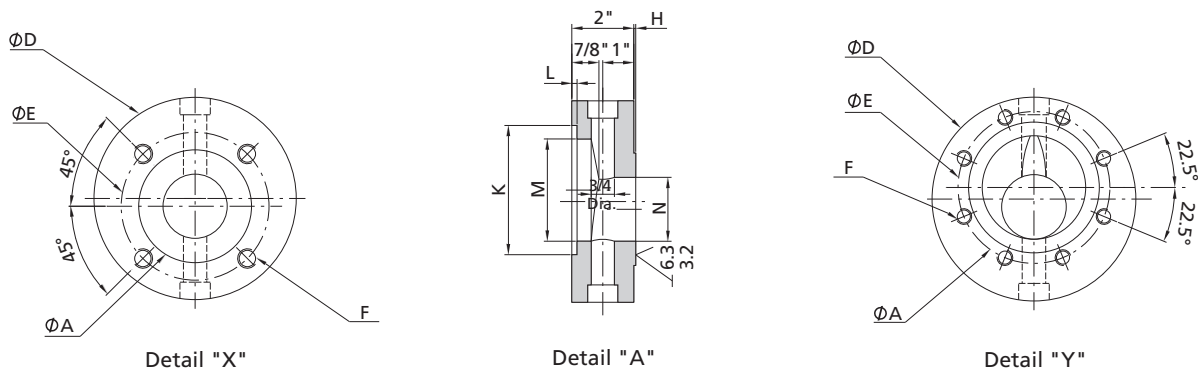
Nominal Pressure	Nominal size	Dimension, (in.)							
		$\Phi A$	$\Phi D$	$\Phi E$	F	G	H	M	Detail
Class 150	1	2	4 1/4	3 1/8	NOTE: 1	25/32	1/16	1 1/16	X
	1 1/2	2 7/8	5	3 7/8	NOTE: 1	25/32	1/16	1 5/8	X
	2	3 5/8	6	4 3/4	NOTE: 2	25/32	1/16	2 3/8	X
	3	5	7 1/2	6	NOTE: 2	25/32	1/16	3 1/2	X
	4	6 3/16	9	7 1/2	NOTE: 4	25/32	1/16	4 1/16	Y
Class 300	1	2	4 7/8	3 1/2	NOTE: 2	2 11/32	1/16	1 1/16	X
	1 1/2	2 7/8	6 1/8	4 1/2	NOTE: 3	2 11/32	1/16	1 5/8	X
	2	3 5/8	6 1/2	5	NOTE: 4	2 11/32	1/16	2 3/8	Y
	3	5	8 1/4	6 5/8	NOTE: 5	2 11/32	1/16	3 1/2	Y
	4	6 3/16	10	7 7/8	NOTE: 5	2 11/32	1/16	4 1/16	Y
Class 600	1	2	4 7/8	3 1/2	NOTE: 2	2 11/32	1/4	1 1/16	X
	1 1/2	2 7/8	6 1/8	4 1/2	NOTE: 3	2 11/32	1/4	1 5/8	X
	2	3 5/8	6 1/2	5	NOTE: 4	2 11/32	1/4	2 3/8	Y
	3	5	8 1/4	6 5/8	NOTE: 5	2 11/32	1/4	3 1/2	Y
	4	6 3/16	10 3/4	8 1/2	NOTE: 6	2 11/32	1/4	4 1/16	Y

FE Series:

Eccentric Flush Ring, ANSI RF, with Weld Neck Flange



Eccentric Flush Ring, ANSI RF, with Socket Weld

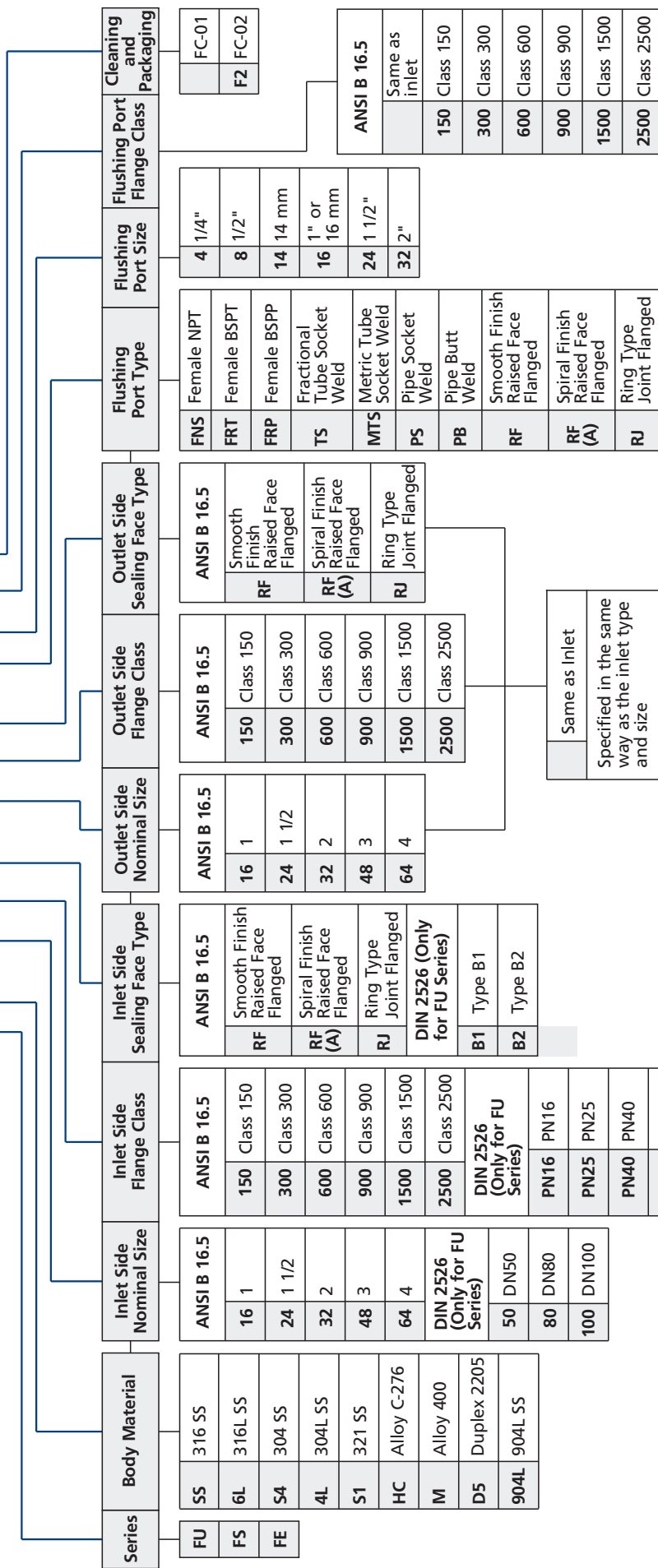


Pressure Ratings	Nominal Size	Dimension, (in.)							Detail
		ΦA	ΦD	ΦE	F	G	H	N	
Class 150	1 1/2	2 7/8	6 1/4	3 7/8	NOTE: 1	2 5/32	1/16	1 5/8	X
	2	3 5/8	6 1/2	4 3/4	NOTE: 2	2 5/32	1/16	2 1/16	X
	3	5	7 1/2	6	NOTE: 2	2 5/32	1/16	3 1/16	X
Class 300	1 1/2	2 7/8	6 3/4	4 1/2	NOTE: 3	2 11/32	1/16	1 5/8	X
	2	3 5/8	6 3/4	5	NOTE: 4	2 11/32	1/16	2 1/16	Y
	3	5	8 1/4	6 5/8	NOTE: 5	2 11/32	1/16	3 1/2	Y

- 1) Drill & tap for 1/2"-13 UNC-2A stud x 0.63" DP., (4) places. Max. drill point depth from drilling surface = 0.925".
- 2) Drill & tap for 1/2"-13 UNC-2A stud x 0.63" DP., (8) places. Max. drill point depth from drilling surface = 0.925".
- 3) Drill & tap for 5/8"-11 UNC-2A stud x 0.72" DP., (4) places. Max. drill point depth from drilling surface = 0.987".
- 4) Drill & tap for 5/8"-11 UNC-2A stud x 0.72" DP., (8) places. Max. drill point depth from drilling surface = 0.987".
- 5) Drill & tap for 3/4"-10 UNC-2A stud x 0.87" DP., (4) places. Max. drill point depth from drilling surface = 1.165".
- 6) Drill & tap for 3/4"-10 UNC-2A stud x 0.87" DP., (8) places. Max. drill point depth from drilling surface = 1.165".

# Part Number Description

FESS - 16150RF - 32300RJ - RF32150F2



Note: "Part Number Description" is used for composition rules of FITOK product model, Not suitable for specific product part number selection, not random combinations. If in doubt, please contact FITOK group or authorized agent.

Cleaning and Packaging:  
 FC-01: Standard cleaning and packaging for general industrial procedures.  
 FC-02: Special cleaning and packaging for wetted system components to ensure compliance with product cleaning requirement as stated in ASTM G93 Level C.

## **FITOK Group**

### **FITOK GmbH (Headquarter)**

Sprendlinger Landstr. 115, 63069 Offenbach am Main, Germany  
Tel.: +49 69 8900 4498 Fax: +49 69 8900 4495

### **FITOK, Inc.**

13843 North Promenade Blvd., Suite 750, Stafford, Texas 77477, USA  
Tel.: +1 281 888 0077 Fax: +1 281 582 4051

### **FITOK Incorporated**

1-4F, Block C, Zone E, Yingtailong Industrial Park, Dalang Street,  
Longhua District, Shenzhen, 518109, China  
Tel.: +86 755 2803 2500 Fax: +86 755 2803 2619

### **FITOK Middle East Oil Equipment Trading LLC**

208-209, Makateb Tower, Airport Road, P.O.Box 185412, Deira, Dubai, UAE  
Tel.: +971 4 2959 853 Fax: +971 4 2959 854

[info@fitokgroup.com](mailto:info@fitokgroup.com)  
[www.fitokgroup.com](http://www.fitokgroup.com)

FK-IC-GO-04-EN-140821