

## 6" EIMF Microfilter Element (acc. to EI 1590 3<sup>rd</sup> ed.)

FAUDI Aviation microfilters are used wherever there is a demand for high quality, economical and reliable filtration. They are designed to continuously remove particles, pollutions and contaminations from aviation fuel system. These highly efficient microfilters are used at refineries, bulk fuel depots, transfer stations and airports, mainly upstreams of Filter/Water Separators in order to protect and prolong coalescer element life time.

### Applications

- As stand-alone-solution for continuously remove particles from aviation fuels
- As prefilter in front of a filter water separator to extend the lifetime of the coalescer elements
- At refineries, bulk fuel depots, transfer stations and airports

### Technical Details

Tested and approved in accordance with the 3<sup>rd</sup> edition of EI 1590

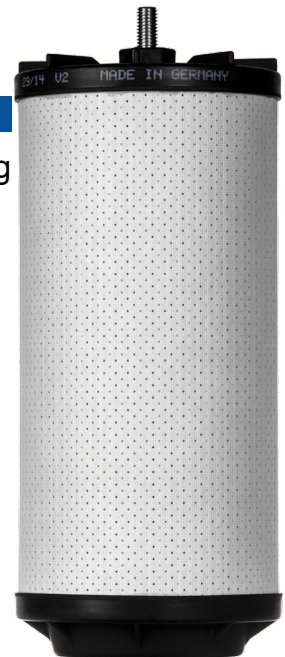
Nominal Micron Rating:	1, 2, 3 and 5 µm
Change-out Differential Pressure:	21 psi (100 kPa) (1.5 bar)
Test- /Burst Pressure:	75 psi (520 kPa) (5.2 bar)
Recommended Service Time (max.):	24 months <sup>1</sup>
Recommended Storage Time (max.):	24 months <sup>1&amp;2</sup>
Operating Temperature:	-30°C to +80°C
Flow Direction:	Out-to-In
Outside Diameter:	6" (152 mm)

<sup>1</sup> Manufacturer recommendation

<sup>2</sup> Original packaging, 20°C and max. 50% humidity  
after date of shipment out of stock of FAUDI Aviation GmbH

### Standard Design

- Less than 0.15 mg/l particles greater than the stated micron rating
- Absorbability up to 350 g/m<sup>2</sup> Particles  
(tested with Red Iron Oxide R-9998 up to 1.5 bar)
- Seals in NBR (Buna-N<sup>®</sup>)
- Interchangeable with other EI approved microfilter elements
- End caps made out of Polyamid/reinforced glass fibre,  
resp. painted steel
- Labeling of end caps acc. to EI specification  
(date of manufacturing, ID-Number, etc.)



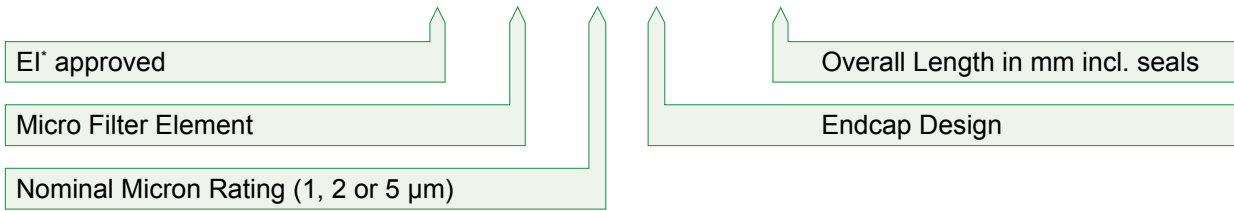
FAUDI Aviation GmbH	Phone:	+49 6428 4465-275
Scharnhorststrasse 7 B	Fax:	+49 6428 4465-231
D-35260 Stadtallendorf	E-Mail:	contact@faudi-aviation.com
Germany	Web:	www.faudi-aviation.com



# 6" EIMF Microfilter Element (acc. to EI 1590 3<sup>rd</sup> ed.)

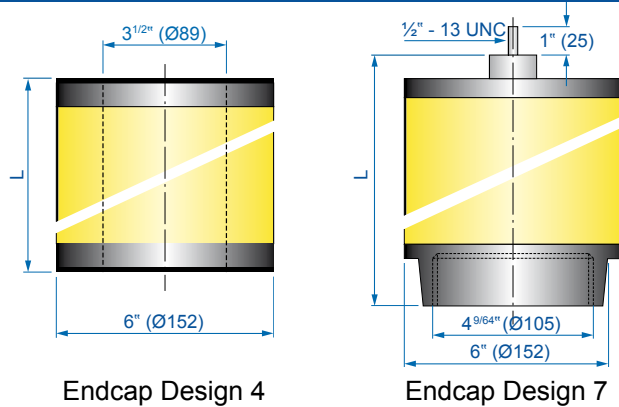
## Sample of Marking

Sample of marking: **EIMF1.4-1130**



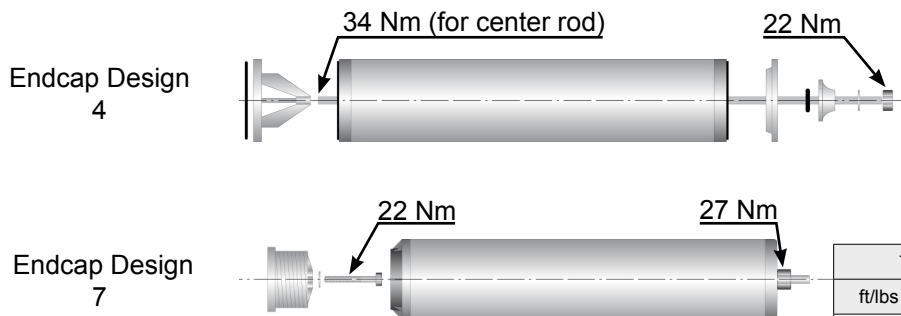
Energy Institute (EI 1590 3<sup>rd</sup> Edition)

## Part Numbering



Nominal Micron Rating	Overall Length L (including seals)		Endcap Design 4	maximum Flow Rate		Endcap Design 7	maximum Flow Rate	
	mm	inch		l/min	usgpm		l/min	usgpm
1	285	11 <sup>1/4</sup>	EIMFx.4-279	155	41			
1	368	14 <sup>1/2</sup>	EIMFx.4-362	205	55	EIMFx.7-362	170	45
1	565	22 <sup>1/4</sup>	EIMFx.4-559	323	86	EIMFx.7-559	300	80
1	733	28 <sup>7/8</sup>	EIMFx.4-727	424	112	EIMFx.7-727	383	102
1	848	33 <sup>3/8</sup>	EIMFx.4-842	493	131			
1	1,117	44 <sup>3/8</sup>	EIMFx.4-1130	655	173	EIMFx.7-1130	630	167

## Torques



ft/lbs	inch/lbs	kg/m	Nm
17	200	2.30	22
20	240	2.80	27
25	300	3.50	34

FAUDI Aviation GmbH Phone: +49 6428 4465-275  
 Scharnhorststrasse 7 B Fax: +49 6428 4465-231  
 D-35260 Stadtallendorf E-Mail: contact@faudi-aviation.com  
 Germany Web: www.faudi-aviation.com

